

Features

- Frequency Range 5 to 1200 MHz
- Low Cost and RoHS Compliant
- Small SMT package
- Available in Tape-and-Reel
- 75 Ω Characteristic Impedance

Applications

- Broadband/CATV
- Wireless



Product Description

The MRFSP5725 2-way Splitter is designed for applications that require small, low cost, and highly reliable surface mount components. Applications may be found in broadband, wireless and other communications systems. These units are built Lead-Free and RoHS compliant. S-Parameters are available on request.

Specifications

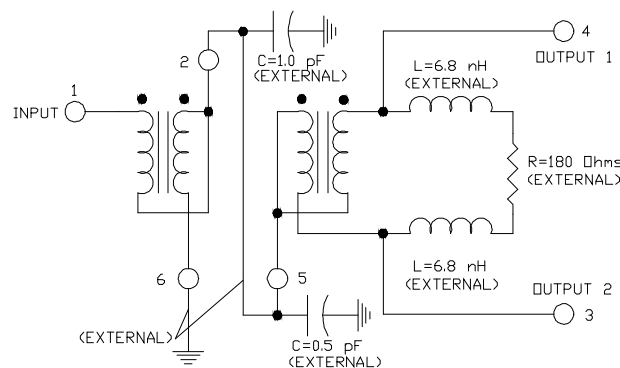
Parameter	Minimum	Typical*	Maximum
Frequency Range (MHz)	5		1200
Insertion Loss (dB)		0.5	1.0
Isolation (dB)	25	28	
Return Loss (dB)	17	18	
Amplitude Balance (dB)		0.2	0.3
Phase Balance (Degrees)		1.5	4.0

* Typical data represents mid-band performance @ 25 C.

Absolute Maximum Ratings

Parameter	Maximum
RF Power	+33 dBm
Operating Temperature	-55 to +100 °C
Storage Temperature	-55 to +100 °C

Schematic

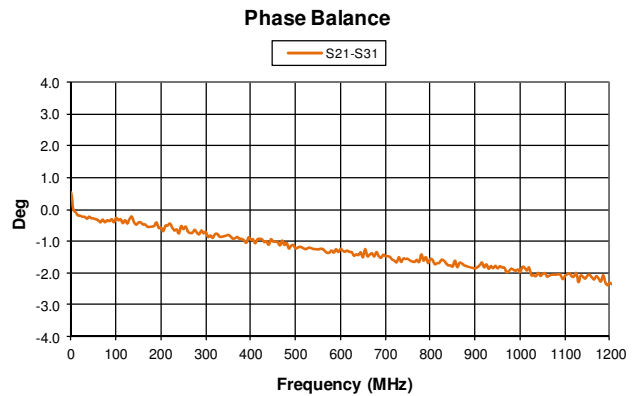
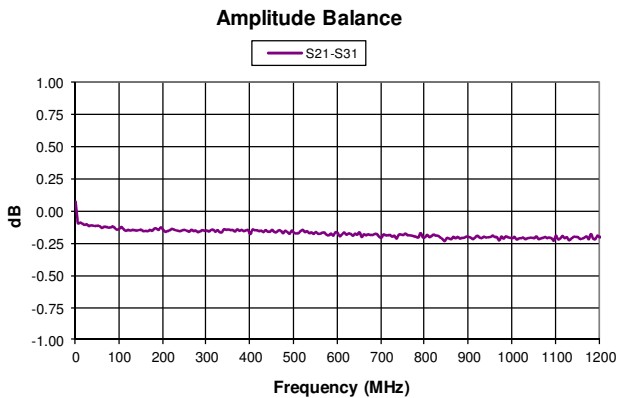
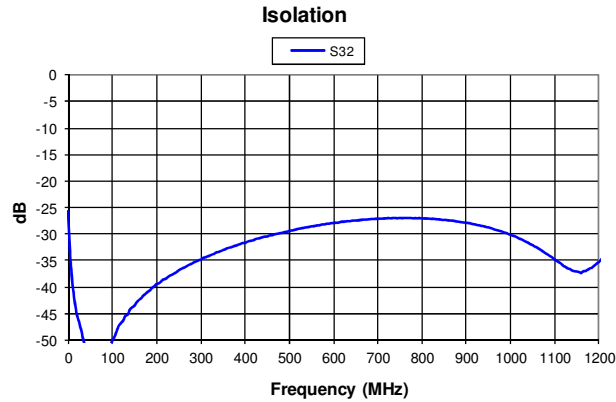
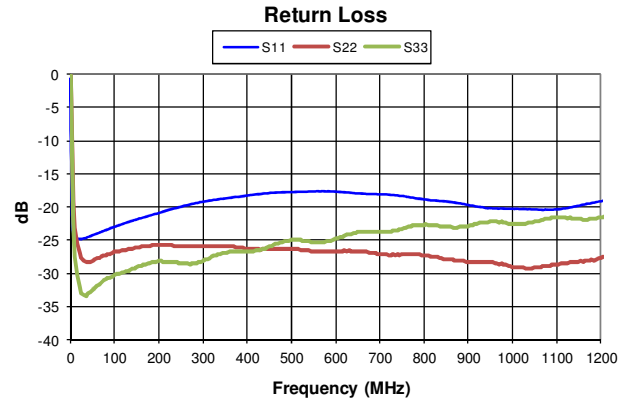
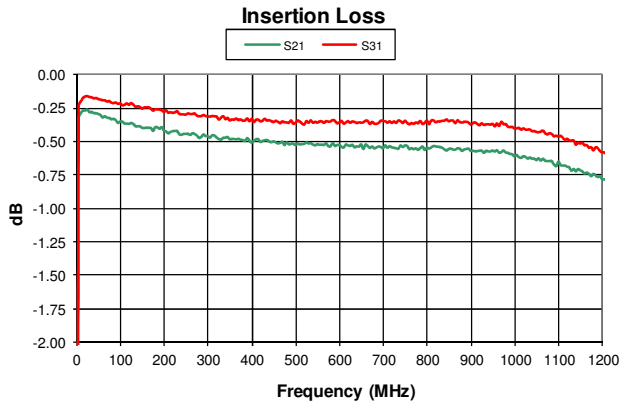


MiniRF Incorporated



MRFSP5725 2-WAY SMT SPLITTER

Typical Data

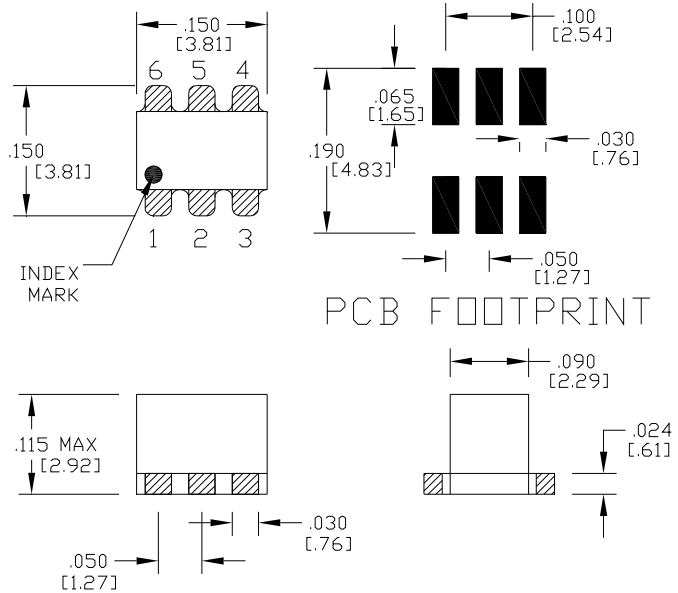


MiniRF Incorporated

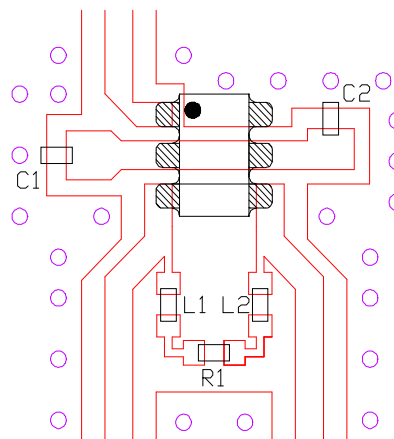
Pin Out

Pin	Function
1	INPUT
2	C2
3	OUTPUT 2, R1
4	OUTPUT 1, R1
5	C1
6	GROUND

Package S19



Test Footprint



C1 = .5 pF
C2 = 1.0 pF

L1 & L2 = 6.8 nH

R1 = 180 Ωhms